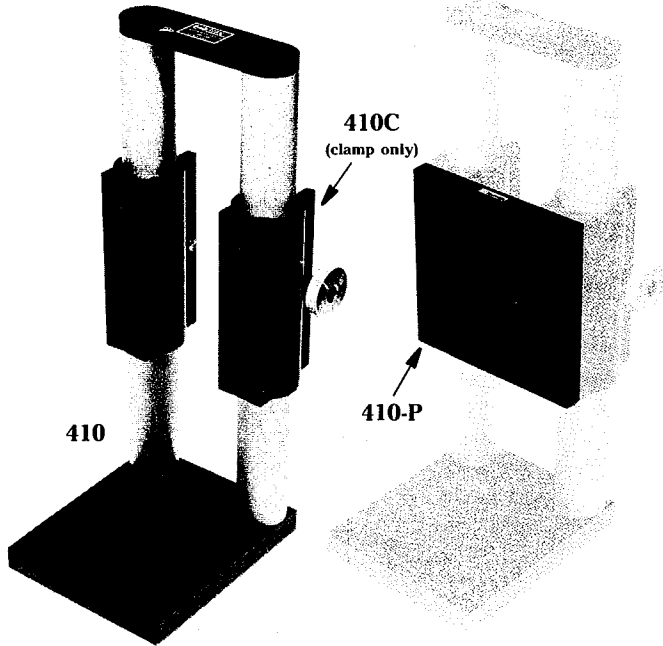


HEAVY-DUTY OBJECT HOLDER

This thing is extremely heavy duty and its primary purpose here is to fixture objects on the **HOLOGRAPHIC STEREOGRAM PRINTER** when it is used in its object rendering mode, (See the Handout,

Vertical Height Mounting Assembly

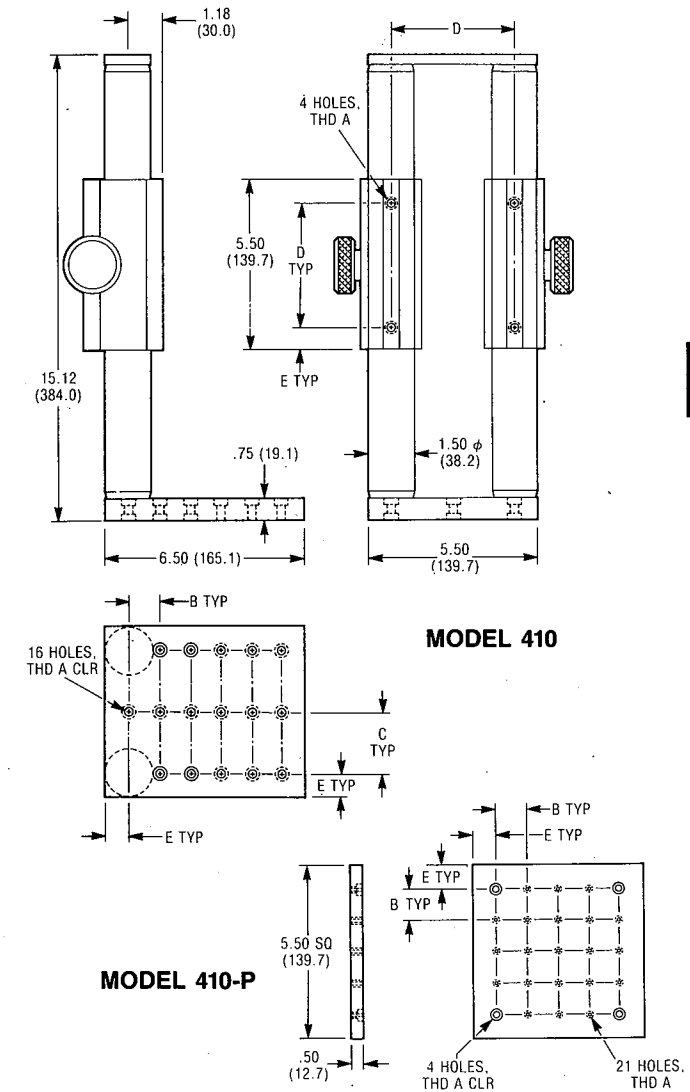


• **Dual-rod design provides stiffness and stability**

The **Model 410 Mounting Assembly** positions heavy optical components and assemblies at various elevations with excellent stability. The assembly consists of two 1.5 in. (38 mm) diameter solid steel rods attached to a heavy-duty base and connected together at the top, with an extra-long rod-clamp, **Model 410C**, on each rod. These clamps have three line-contact pads over the full length of their bore to ensure stable mounting of components. Components can be attached directly to the clamps, or for more versatile mounting of components, the optional **Model 410-P Mounting Plate** features a standard pattern of tapped holes for mounting virtually any component.

Vertical Height Mounting Assembly

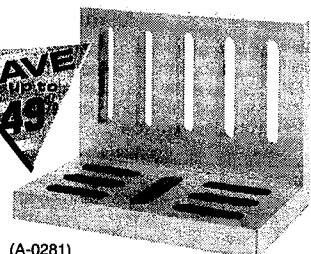
	English Model	Metric Model
Vertical Height Mounting Assembly	410	M-410
Clamp Only	410C	M-410C
Mounting Plate	410-P	M-410-P



MODEL	THREAD A	B	DIMENSION		
			C	D	E
ENGLISH			INCHES		
410	1/4-20	1.000	2.000	4.000	.75
410-P	1/4-20	1.000	2.000	4.000	.75
METRIC			MILLIMETERS		
M-410	M6	25.0	50.0	100.0	19.9
M-410-P	M6	25.0	50.0	100.0	19.9

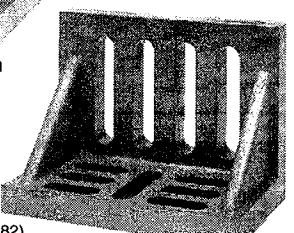
CONVERTING THE HOLOGRAPHIC STEREOGRAM PRINTER TO MAKE HOLOGRAMS OF DIFFUSELY REFLECTING OBJECTS) or on the EXPERIMENTAL TABLE to do the same thing in the SINGLE BEAM TRANSMISSION MASTER HOLOGRAM WITH MIRROR set up. The Model 410-P Mounting Plate is attached to the Model 410C Clamps, and an Enco Model 418-4525 Ground Open End Slotted Angle Plate provides a convenient base for the object to be holographed. Although heavy and stable, (Guess its weight!* Answer below.) it is a good idea to attach the Model 410 to the Tabletop with screws or Newport Model BC-2 Base Clamps.

TO USE, attach the Object to the Holder and loosen the knobs on the Model 410-C Clamps until the Object is at the right height from the vantage point of the Holographic Plateholder. Move the whole unit to get the Object centered horizontally and positioned longitudinally.



Enco SLOTTED ANGLE PLATES

Many sizes also stocked with precision ground finish. Prices on request.



(A-0281)

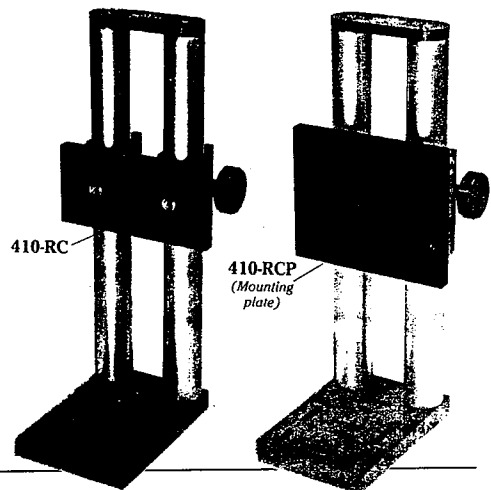
- Made of high tensile cast iron properly seasoned against distortion.
- Webbed style accurately machined, square & parallel on outside faces & ends.
- Open end style accurately machined square and parallel on all faces.

(A-0282)

Approx. Dimensions			Webbed		Open End			
L	H	D	MODEL	YOUR COST	Wt. lbs.	MODEL	YOUR COST	Wt. lbs.
3"	2-1/2"	2"	418-4510 Machined	\$10.95	1			
			418-4612 Ground	14.99	1			
3-1/2"	3"	2-1/2"	418-4515 Machined	12.99	3			
			418-4617 Ground	13.99	2			
4-1/2"	3-1/2"	3"	418-4520 Machined	16.50	4	418-4720 Machined	\$17.99	3
			418-4622 Ground	18.99	7	418-4822 Ground	19.99	3
6"	5"	4-1/2"	418-4525 Machined	22.00	8	418-4725 Machined	25.99	8
			418-4627 Ground	19.99	8	418-4827 Ground	32.99	8
7"	5-1/2"	4-1/2"	418-4530 Machined	23.50	12	418-4730 Machined	29.99	13
			418-4632 Ground	25.99	11	418-4832 Ground	36.99	10
8"	6"	5"	418-4535 Machined	35.60	15	418-4735 Machined	39.99	17
			418-4637 Ground	29.99	15	418-4837 Ground	50.99	16
9"	7"	6"	418-4540 Machined	45.50	24	418-4740 Machined	49.99	22
			418-4642 Ground	36.99	22	418-4842 Ground	58.00	22
10"	8"	6"	418-4545 Machined	45.00	28	418-4745 Machined	59.99	26
			418-4647 Ground	48.99	27	418-4847 Ground	72.99	28
12"	9"	8"	418-4550 Machined	59.95	48	418-4750 Machined	69.99	44
			418-4652 Ground	54.99	44	418-4852 Ground	96.99	45

The Slotted Angle Plate can be attached to the Model 410 with 1/4"-20 screws and washers, and oriented up, down or sideways, with Objects hot glued directly to it, or the Objects glued to a Magnetic Base so that they can be easily removed and positioned during a holographic multi-channel exposure.

The latest incarnation of the beast, Model 410-RC uses a Siamese twinned set of clamps.



*. According to the scale in the Nurse's Office, the fully-decked out Model 410 plus Right Angle Platform is 27 lbs.